

Vision AS

pan and tilt heads



Operators Guide
Publication Part No. V4045-4980

Vinten
simply perfection

Operating instructions for:
Vision 3AS Pan and Tilt Head
Vision 5AS Pan and Tilt Head
Vision 8AS Pan and Tilt Head
Vision 10AS Pan and Tilt Head

Original Instructions
Issue 2.0

Copyright © Vitec Group plc 2009

All rights reserved throughout the world. No part of this document may be stored in a retrieval system, transmitted, copied or reproduced in any way including, but not limited to, photocopy, photograph, magnetic or other record without the prior agreement and permission in writing of Vitec Group plc.

Trademarks

Vinten® and Vision® are registered trademarks of Vitec Group plc.

Important information about this document

Information contained within this document is subject to change. Camera Dynamics Limited reserves the right, without notice to make changes in equipment design or performance as progress in engineering, manufacturing or technology may warrant.

Published by

Camera Dynamics Ltd
Technical Publications Department
William Vinten Building
Western Way
Bury St Edmunds
Suffolk IP33 3TB
UK

Email: technical.publications@vitecgroup.com

Understanding these instructions

English



The original instructions presented in this operators guide were written in English, and subsequently translated into other languages. If you are unable to understand these instructions, contact Vinten or your distributor to obtain a translation of the original instructions (EU Countries).

БЪЛГАРСКИ



Оригиналните инструкции, представени в настоящото ръководство на производителя, бяха написани на английски език, а след това - преведени на други езици. Ако не разбирате тези езици, свържете се с Vinten или с Вашия дистрибутор, за да получите оригиналните инструкции (за страните от Европейския съюз).

Česky



Pokyny uvedené v této operátorské příručce byly původně napsány anglicky a následně byly přeloženy do ostatních jazyků. Nerozumíte-li těmto pokynům, kontaktujte společnost Vinten nebo svého distributora, abyste získali překlad originálních pokynů (členské státy EU).

Danish



De originale instruktioner, der præsenteres i denne betjeningsvejledning, er skrevet på engelsk og derefter oversat til andre sprog. Hvis du ikke forstår disse instruktioner bedes du kontakte Vinten eller vor forhandler for at få en oversættelse af de originale instruktioner (EU-lande).

Deutsch



Die Originalanleitung in diesem Bedienungshandbuch wurde auf Englisch verfasst und anschließend in andere Sprachen übersetzt. Bei Verständnisproblemen in einer der übersetzten Sprachen kontaktieren Sie bitte Vinten oder Ihren Fachhändler; dort erhalten Sie eine Übersetzung der ursprünglichen Anleitung (EU-Staaten).

Eesti



Käesoleva kasutajajuhendi algtekst on koostatud inglise keeles ning seejärel tõlgitud teistesse keeltesse. Kui juhend osutub teie jaoks arusaamatuks, võtke juhendi emakeelse tõlke hankimiseks ühendust Vinteni või kohaliku esindajaga (Euroopa Liidu riigid).

Ελληνικά



Οι αρχικές οδηγίες αυτού του οδηγού για το χειριστή συντάχθηκαν στα Αγγλικά και μεταφράστηκαν στη συνέχεια σε άλλες γλώσσες. Εάν δυσκολεύεστε να καταλάβετε αυτές τις οδηγίες, επικοινωνήστε με τη Vinten ή το διανομέα σας για να λάβετε μια μετάφραση των αρχικών οδηγιών (Χώρες ΕΕ).

Español



Las instrucciones originales que se indican en esta guía del operador se han redactado en inglés y posteriormente se han traducido a otros idiomas. Si no entiende estas instrucciones, póngase en contacto con Vinten o con su distribuidor para obtener una traducción de las instrucciones originales (para países de la UE).

Français

- FR** Les instructions originales présentées dans ce guide d'utilisation ont été écrites en anglais puis traduites dans d'autres langues. Si vous ne comprenez pas ces instructions, contactez Vinten ou votre revendeur pour obtenir une traduction des instructions originales (pour les pays de l'UE).

Gaeilge

- GA** Scríobhadh na treoracha bunaidh don treoirleabhar oibritheora seo as Béarla, agus aistríodh iad go teangacha eile ina dhiaidh sin. Mura bhfuil tú in ann na treoracha seo a thuiscint, téigh i dteagmháil le Vinten nó le do dháileoir, chun aistriúchán de na treoracha bunaidh a fháil (Tíortha an AE).

Italiano

- IT** Le istruzioni originali presentate in questa guida per l'operatore sono in lingua inglese e successivamente tradotte nelle altre lingue. Qualora le istruzioni non fossero disponibili nella lingua desiderata, potete contattare Vinten o il vostro distributore per ricevere la traduzione delle istruzioni originali (Paesi UE).

Latviešu

- LV** Šajā operatora rokasgrāmatā iekļautie norādījumi sākotnēji tika sarakstīti angļu valodā un pēc tam pārtulkoti citās valodās. Ja nesaprotat šos norādījumus svešvalodā, sazinieties ar Vinten vai tirgotāju, lai saņemtu norādījumu tulkojumu (kādā no ES dalībvalstu valodām).

Lietuvių

- LT** Šiame operatoriaus vadove pristatomos pirminės instrukcijos parašytos anglų kalba ir vėliau išverstos į kitas kalbas. Jei šių instrukcijų nesuprantate, susisiekitė su „Vinten“ arba savo platintoju ir gaukite pirminių instrukcijų vertimą (ES šalies kalba).

Magyar

- HU** A kezelői útmutatóban található utasítások angol nyelven íródtak, és utólag fordították azokat más nyelvekre. Ha nem érti ezen utasításokat, kérjük, vegye fel a kapcsolatot a Vintennel vagy a helyi képviselővel, és igényelje az eredeti utasítások fordítását (EU országok).

Malti

- MT** L-istruzzjonijiet originali ipprezentati f'din il-gwida ta' operaturi kienu miktuba bl-Ingliż, u sussegwentement maqluba fl-lingwi ohra. Jekk ma tistax tifhem dawn l-istruzzjonijiet, ikkuntattja lil Vinten jew id-distributur tieghek biex tikseb traduzzjoni ta' l-istruzzjonijiet originali (Pajjiżi ta' UE).

Nederlands

- NL** De oorspronkelijke instructies in deze bedieningshandleiding zijn geschreven in het Engels en vervolgens in andere talen vertaald. Als het onmogelijk is deze instructies te begrijpen, neemt u contact op met Vinten of met uw distributeur om een vertaling te bemachtigen van de oorspronkelijke instructies (EG-landen).

Polski

- PL** Oryginalne instrukcje zamieszczone w niniejszym podręczniku operatora zostały napisane w języku angielskim, a następnie przetłumaczone na inne języki. Jeśli nie rozumieją Państwo tych instrukcji, prosimy skontaktować się z siedzibą lub dystrybutorem Vinten, aby uzyskać tłumaczenie oryginalnych instrukcji (kraje UE).

Português

- PT** As instruções originais apresentadas no guia do operador foram escritas em Inglês e traduzidas para outros idiomas. Se não conseguir compreender estas instruções contacte a Vinten ou o seu distribuidor para obter a tradução das instruções originais (Países da UE).

Română

- RO** Instrucțiunile originale prezentate în acest ghid pentru operatori au fost scrise în limba engleză, și traduse ulterior în alte limbi. În cazul în care nu înțelegeți aceste instrucțiuni, contactați Vinten sau distribuitorul dumneavoastră pentru a obține o traducere a instrucțiunilor originale (Țările UE).

Slovensky

- SK** Pôvodné pokyny, uvedené v tomto návode na obsluhu, boli napísané v angličtine a následne preložené do iných jazykov. Ak nerozumiete týmto pokynom, obráťte sa na spoločnosť Vinten alebo vášho distribútora, aby vám zaslal preklad originálnych pokynov (krajin EÚ).

Slovenščina

- SL** Originalno besedilo teh navodil za uporabo je bilo napisano v angleščini in prevedeno v ostale jezike. Če ne razumete teh navodil, se obrnite na podjetje Vinten ali lokalnega zastopnika, ki vam bo posredoval originalna navodila (velja za dr_ave EU).

Suomi

- FI** Tähän käyttäjän oppaaseen sisältyvät ohjeet on kirjoitettu alun perin englanniksi ja käännetty sitten muille kielille. Ellet ymmärrä näitä ohjeita, ota yhteyttä Vinteniin tai jälleenmyyjään ja pyydä alkuperäisten ohjeiden käännöstä (EU-maat).

Svenska

- SV** Instruktionerna i denna handbok skrevs ursprungligen på engelska och har sedan översatts till flera språk. Om du inte förstår dessa instruktioner, kontakta Vinten eller din återförsäljare för en ny översättning av originalinstruktionerna (EU-länder).

Safety - read this first

Warning Symbols in this Operators Guide



Where there is a risk of personal injury or injury to others, comments appear highlighted by the word **WARNING!**—supported by the warning triangle symbol.

Where there is a risk of damage to the product, associated equipment, process or surroundings, comments appear highlighted by the word **CAUTION!**

Usage

The Vision AS range of pan and tilt heads are designed for use by professional camera operators and are ideally suited for electronic news gathering and video production. These lightweight heads can support and balance a camera and ancillary equipment weighing up to 17.0 kg (37.5 lb). It is important that the head is mounted onto equipment designed to support the head and its maximum payload.



WARNING!

1. Do NOT attempt to use this product if you do not understand how to operate it.

2. Do NOT use this product for any other purpose than that specified in this Usage statement.

3. Maintenance beyond that detailed in this Operators Guide must be performed only by competent personnel in accordance with the procedures specified in the Maintenance Manual.

Caring for the environment by recycling

Disposal of waste batteries

Any batteries included with this product must not be treated as household waste. By ensuring these batteries are disposed of correctly, you will help prevent potentially negative consequences for the environment and human health, and help conserve natural resources. Please view the section on how to remove the battery from the product safely. Hand the battery over to the applicable collection point for recycling waste batteries.

Technical specification

Vision 3AS pan and tilt head

Height	15.1 cm (5.9 in.)
Length	13.8 cm (5.4 in.)
Width	13.8 cm (5.4 in.)
Weight including pan bar and bowl clamp assembly	2.8 kg (6.2 lb)
Tilt range	±90°
Pan range	360°
Levelling bubble	illuminated
Typical Payload	3.5 kg (7.72 lb)
Mounting interface	75 mm ball base
Pan bar	single universal fixed length

Vision 5AS pan and tilt head

Height	15.1 cm (5.9 in.)
Length	13.8 cm (5.4 in.)
Width	13.8 cm (5.4 in.)
Weight including pan bar and bowl clamp assembly	2.8 kg (6.2 lb)
Tilt range	±90°
Pan range	360°
Levelling bubble	illuminated
Typical Payload	7.0 kg (15.4 lb)
Mounting interface	75 mm ball base
Pan bar	single universal fixed length

Vision 8AS pan and tilt head

Height	16 cm (6.3 in.)
Length	15.1 cm (5.9 in.)
Width	13.8 cm (5.4 in.)
Weight including pan bar and bowl clamp assembly	3.1 kg (6.8 lb)
Tilt range	±90°
Pan range	360°
Levelling bubble	illuminated
Typical payload	11 kg (24.3 lb)
Mounting interface	100 mm ball base
Pan bar	single universal fixed length

Vision AS range of Pan and Tilt Heads

Vision 10AS pan and tilt head

Height	16 cm (6.3 in.)
Length	15.1 cm (5.9 in.)
Width	13.8 cm (5.4 in.)
Weight including pan bar and bowl clamp assembly	3.2 kg (7.0 lb)
Tilt range	±90°
Pan range	360°
Levelling bubble	illuminated
Typical payload	13.0 kg (28.7 lb)
Mounting interface	100 mm ball base
Pan bar	single universal telescopic

Contents

	Page
Safety - read this first	6
Usage	6
Caring for the environment by recycling	6
Technical specification	7
Introduction and description	14
Balance	14
Pan and tilt drag	14
Pan and tilt brakes	14
Illuminated level bubble	14
Camera mounting	14
Pan bar	15
Operation	
Fitting the pan bar	16
Mounting the camera using 3/8 in. camera mounting screws	17
Checking camera balance	21
Applying the pan and tilt brakes	25
Applying pan and tilt drag	25
Maintenance	
General	27
Cleaning	27
Routine maintenance	27
Battery replacement	27
Adjusting the pan and tilt brakes	29
Parts list	31
Warranty Details and Terms and Conditions	33

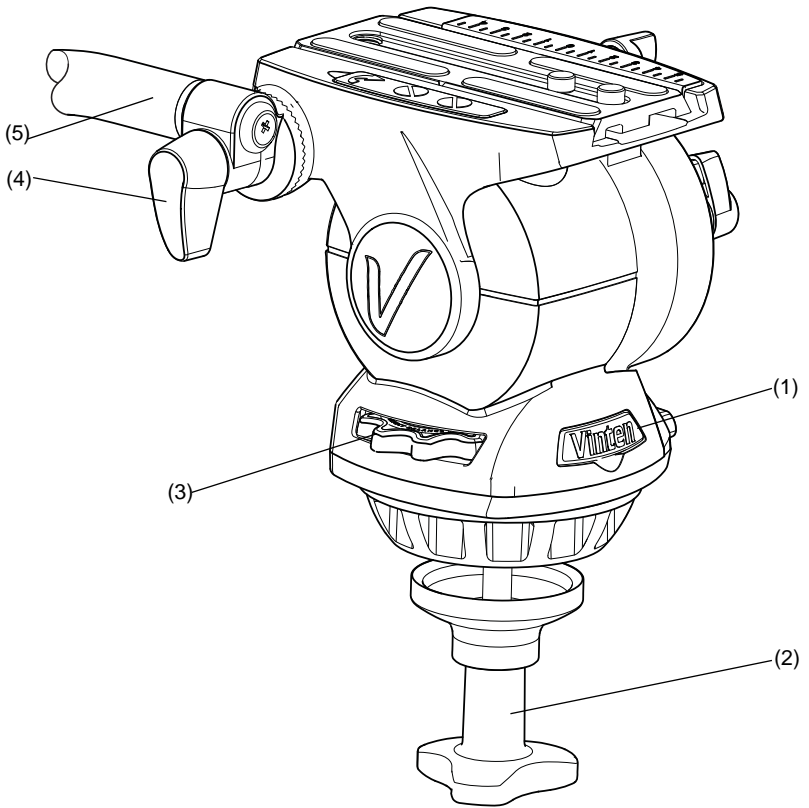


Fig. 1 Vision AS pan and tilt head (front and right-hand side)

- (1) Battery compartment
- (2) Bowl clamp assembly
- (3) Perfect balance control
- (4) Pan bar clamp
- (5) Pan bar

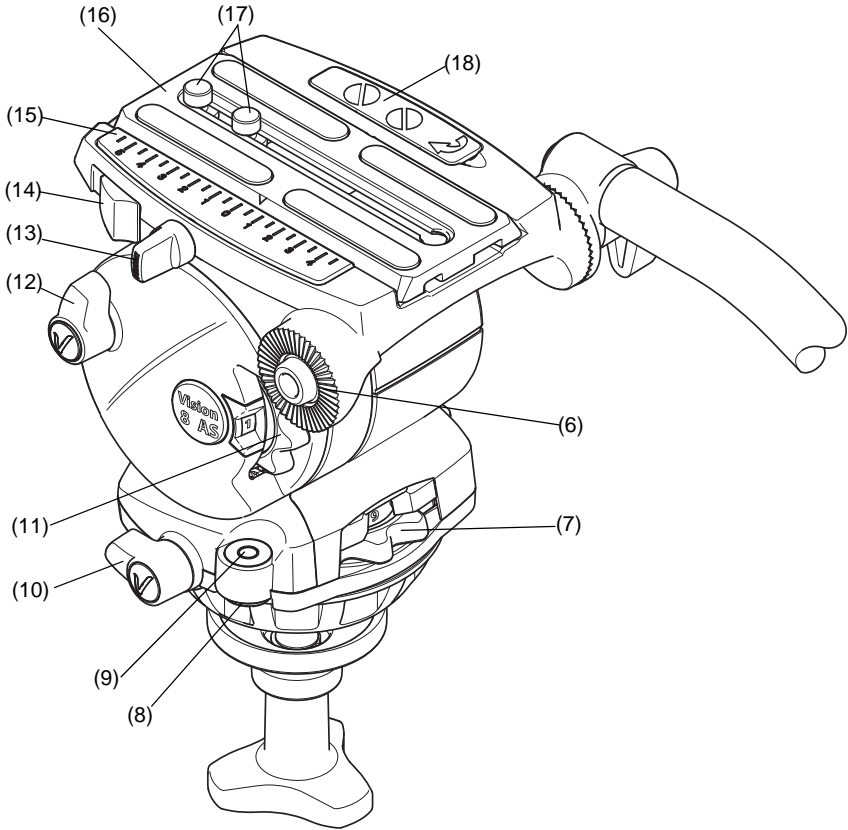


Fig 2 Vision AS pan and tilt head (left-hand side)

- (6) Pan bar mounting
- (7) Pan drag control
- (8) Switch for illuminating the level bubble
- (9) Level bubble
- (10) Pan brake lever
- (11) Tilt drag control
- (12) Tilt brake lever
- (13) Slide plate clamp
- (14) Slide load release
- (15) Slide plate scale
- (16) Slide plate (side-loading)
- (17)3/8 in. camera mounting screws
- (18) Camera screw storage compartment

Introduction and description

The Vision 3AS, 5AS, 8AS and 10AS pan and tilt heads have been designed to support and perfectly balance a range of professional digital video cameras. The Vision AS pan and tilt head is equipped with a quick release side-loading camera plate that allows operators to easily and quickly setup and remove the camera. Levelling the head is achieved using the level bubble that can be illuminated when setting up at locations with low lighting levels. The placement of the pan and tilt brakes, drag controls and counter balance allows the operator to easily adjust the settings whilst operating the camera.

Balance

The AS head provides infinitely adjustable balance, allowing operators to adjust the amount of counter balance required using the Perfect Balance control (3) located on the right-hand-side of the head. Maximum and minimum payloads that can be balanced are dependent on the weight of the camera and accessories fitted, and on the centre of gravity (C of G) height. The balance graphs (Fig. 8 to Fig. 11) illustrate the range of load and C of G height that can be maintained in balance.

Pan and tilt drag

Both pan and tilt mechanisms incorporate the patented Vinten lubricated friction (LF) system to ensure smooth movement of the camera about these axes. The pan and tilt drag is adjusted using the pan drag control (7) and tilt drag control (11).

Pan and tilt brakes

Both pan and tilt brakes allow each axis on the head to be locked at any chosen position. The pan brake lever (10) and tilt brake lever (12) are located on the left-hand side of the head.

Illuminated level bubble

An illuminated level bubble (9) is located to the rear of the head on the left-hand side. In situations of low light, the level bubble can be illuminated by pressing the switch (8) located underneath the level bubble. The level bubble will be illuminated for approximately 20 seconds. The battery for the illuminated level bubble is fitted in the battery compartment located at the front of the head (1) behind the Vinten label.

Camera mounting

The camera is attached to the head using the new side-loading slide plate (16), which allows the camera to be rapidly setup and removed. The side-loading slide plate (16) is attached to the camera and then loaded from above into a side-loading clamp mechanism and secured in position by the slide plate clamp (13). The slide load release (14) allows rapid removal of the slide plate (16) from the head by lifting the camera upwards.

The head is supplied with a 1/4 in. screw and pin adaptor to suit most lightweight camcorders and two 3/8 in. camera mounting screws. When not in use, the 1/4 in. screw and pin adaptor, and 3/8 in. camera mounting screws can be stored in the camera screw storage compartment (18) located on the left-hand side of the camera mounting platform.

Pan bar

Pan bar mounting points (6) are located at the rear of the head on either side of the camera mounting platform. The pan bar (5) is attached using a pan bar clamp (4), with angular adjustment available on the mount serrations. A fixed pan bar is supplied with the Vision 3AS, 5AS and 8AS heads. A telescopic pan bar is supplied with the Vision 10AS head. A second pan bar may be fitted on the other side of the head if required.

Field service spares kit

A field service spares kit (V4045-1902), that includes brake levers and a spare battery, is supplied with all Vision AS pan and tilt heads. See the spares part listing on page 32 for more information.

Operation

Fitting the pan bar

A single pan bar is supplied and is fitted to either the right or left-hand side of the head onto the pan bar mounting (6).

To fit the pan bar:

Position the pan bar (5) onto the pan bar mounting (6).

Rotate the pan bar clamp (4) in a clockwise direction until the pan bar is secured.

A second pan bar can be fitted to the other side of the head if required.

Installing the head onto a tripod

The Vision 3AS and 5AS pan and tilt heads are supplied with an integral 75 mm ball mount and the Vision 8As and 10AS heads have an integral 100 mm ball mount, designed for installation on a compatible Vinten tripod. Adaptors are available to allow the head to be installed onto tripods or pedestals fitted with other mountings.

To install the head onto the tripod:

Remove the bowl clamp assembly (2) from the head by turning the assembly in a counter-clockwise direction.

Position the head on the tripod, carefully lowering the head into the tripod bowl.

Using the pan bar to steady the head, refit the bowl clamp assembly (2) from below the tripod bowl, turning the bowl clamp assembly (2) in an clockwise direction until the head is held in position.

Apply the pan brake (10) and tilt brake (12) by turning the levers in a clockwise direction.

CAUTION! DO NOT use force on the brake levers. Hand tighten only.

Level the head using the level bubble (8) and once level, tighten the bowl clamp assembly (2) to secure the head in position. When attempting to level the head in situations where there is low light, the level bubble can be illuminated by pressing the switch (8) located underneath the level bubble (9). The light will extinguish after approximately 20 seconds.

Mounting the camera using 3/8 in. camera mounting screws

The camera slide plate (16) is secured to the base of the camera using either two 3/8 in. camera screws or a 1/4 in. screw pin adaptor (see **Mounting the camera using the 1/4 in. screw and pin adaptor** on page 19).

To mount the camera onto the head:

Remove the camera slide plate (16) from the head (Fig. 3). Turn the slide plate clamp (13) approximately 1/2 a turn in a counter-clockwise direction to release the clamp. Then push the slide lock release (14) in a forwards direction to release and eject the slide plate (16). When released, the camera slide plate (16) can be lifted upwards and removed from the head.

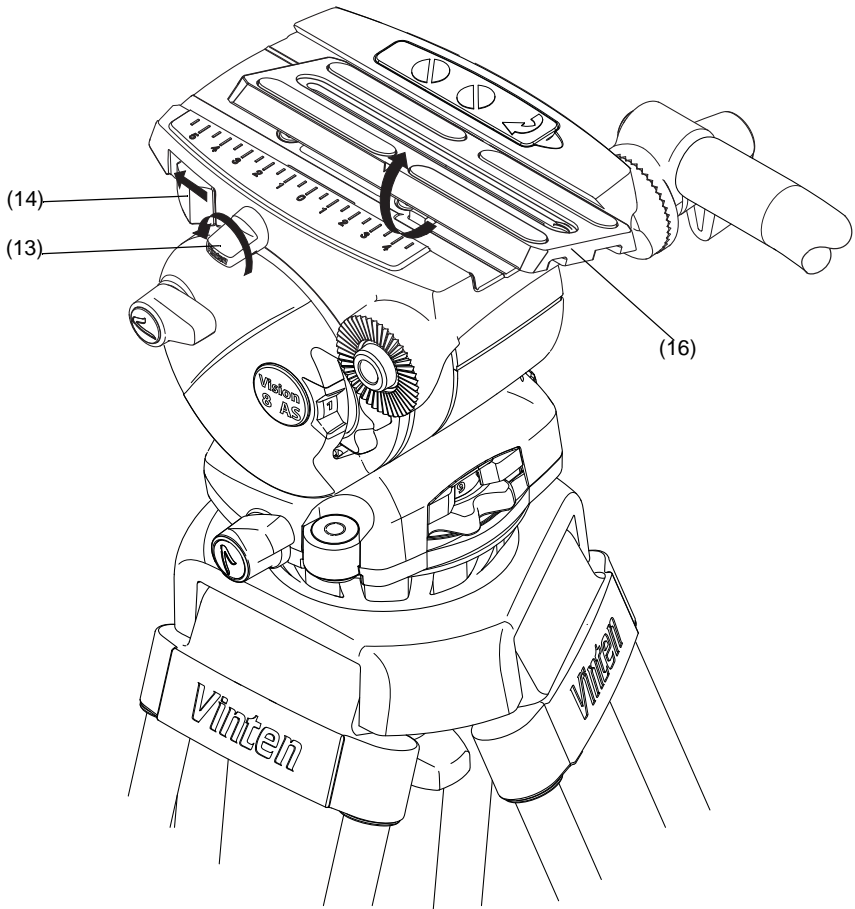


Fig. 3 Removing the camera slide plate

Vision AS range of Pan and Tilt Heads

Position the two 3/8 in. camera screws (17) as far apart as possible on the camera slide plate (16) (Fig. 4).

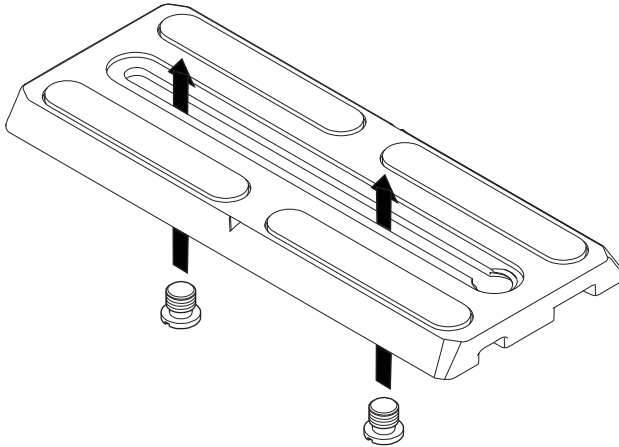


Fig. 4 Fitting the 3/8 in. camera mounting screws

Attach the camera slide plate (16) to the camera or camera mounting plate approximately under the centre of the camera's weight.

If not already done, apply both the pan brake (10) and tilt brake (12) by turning the levers in a clockwise direction.

CAUTION! DO NOT use force on the brake levers. Hand tighten only.

Lower the camera onto the camera mounting platform (Fig. 5) ensuring that the edge of the camera slide plate (16) opposite the slide clamp (13) engages first, and then push downward until the slide clamp 'snaps' into position.

Using the pan bar (5) to steady the camera, tighten the slide plate clamp (13) in a clockwise direction to secure the camera in position.

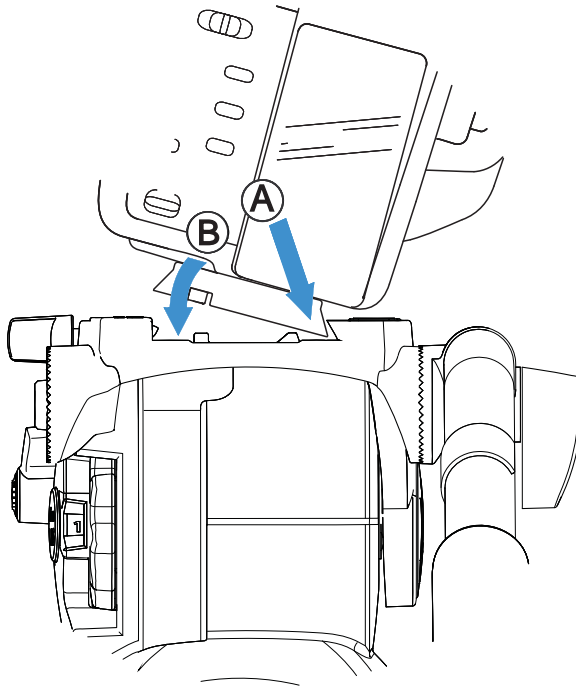


Fig. 5 Mounting the camera onto the head

Mounting the camera using the 1/4 in. screw and pin adaptor

A 1/4 in. screw and pin adaptor, comprising a 1/4 in. locating pin on a plate and a 1/4 in. camera mounting screw, is stored in the camera storage compartment (18) on right-hand side of the camera mounting platform. The process of mounting the camera onto the head is the same as described in **Mounting the camera using 3/8 in. camera mounting screws** on page 17.

To mount the camera onto the head:

Remove the camera slide plate (16) from the head (Fig. 3). Turn the slide plate clamp (13) approximately 1/2 a turn in a counter-clockwise direction to release the clamp. Then push the slide lock release (14) in a forwards direction to release and eject the slide plate (16). When released, the camera slide plate (16) can be lifted upwards and removed from the head.

Open the camera storage compartment (18) by lifting the cover upwards and remove the 1/4 in. screw and pin adaptor (19) (Fig. 6).

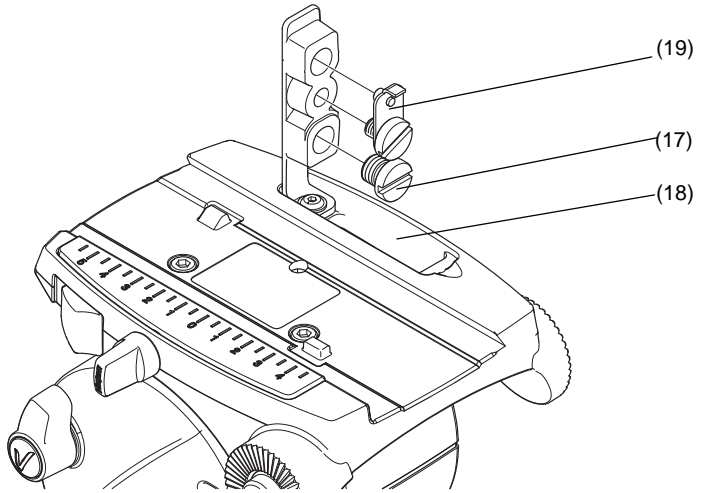


Fig. 6 Camera screw storage compartment

Remove the 3/8 in. camera mounting screws (17) from the camera slide plate (16) (if not already done) and place them into the camera storage compartment (18). Secure the compartment cover by pressing the cover downwards.

Mount the 1/4 in. screw and pin adaptor (19) onto the top of the camera slide plate (16) with the 1/4 in. camera mounting screw from under the slide plate (Fig. 7).

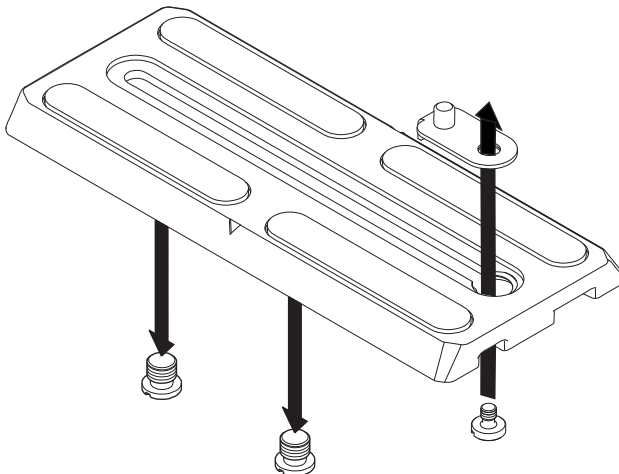


Fig. 7 Fitting the 1/4 in. pin adaptor assembly

Attach the camera slide plate (16) to the camera or camera mounting plate approximately under the centre of the camera's weight.

If not already done, apply both pan brake (10) and tilt brake (12) by turning the levers in a clockwise direction.

CAUTION! DO NOT use force on the brake levers. Hand tighten only.

Lower the camera onto the camera mounting platform (Fig. 5) ensuring that the edge of the camera slide plate (16) opposite the slide clamp (13) engages first, and then push downward until the slide clamp 'snaps' into position.

Using the pan bar (5) to steady the camera, tighten the slide plate clamp (13) in a clockwise direction to secure the camera in position.

Checking camera balance

A perfectly balanced head allows operators to control camera movement with the minimal amount of effort. Once balanced, the head and its payload can be set to any tilt position and remain at that position, allowing operators work hands-free.

Balance graphs (Fig. 8 to Fig. 11) illustrate the relationship between load and Centre of Gravity (C of G) height for each Vision AS pan and tilt head. The balance graphs can be used to ascertain the suitability of the head for any given combination of camera, lens and accessories. The shaded area of graph corresponds to those load/C of G combinations that can be balanced over the full tilt range. The areas to the right indicate the progressively reducing tilt range with greater load and higher C of G. Where a load/C of G combination falls outside of the graph it will be necessary to increase or decrease the weight or the C of G height to enable the head to balance the load.

Before balancing the head, ensure that the camera and lens, pan bar(s) and all ancillary equipment has been fitted. The head must be balanced whenever the camera and/or lens is changed, or when ancillary equipment is added or removed.

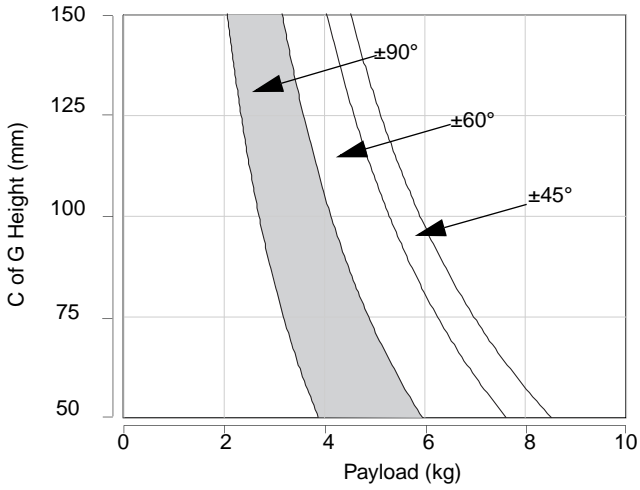


Fig. 8 Vision 3AS balance graph

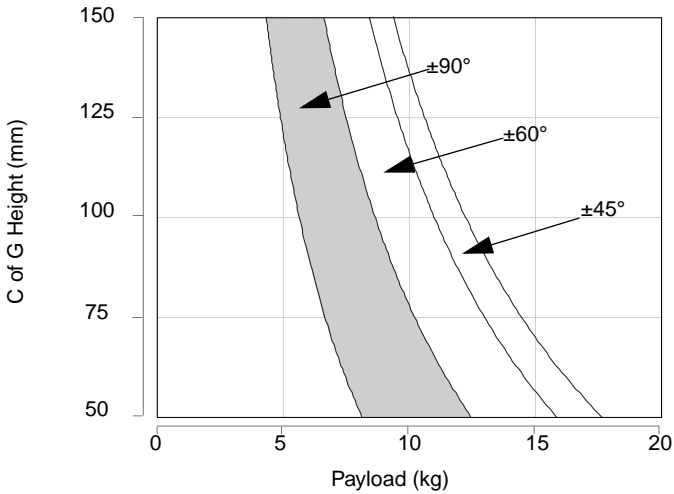


Fig. 9 Vision 5AS balance graph

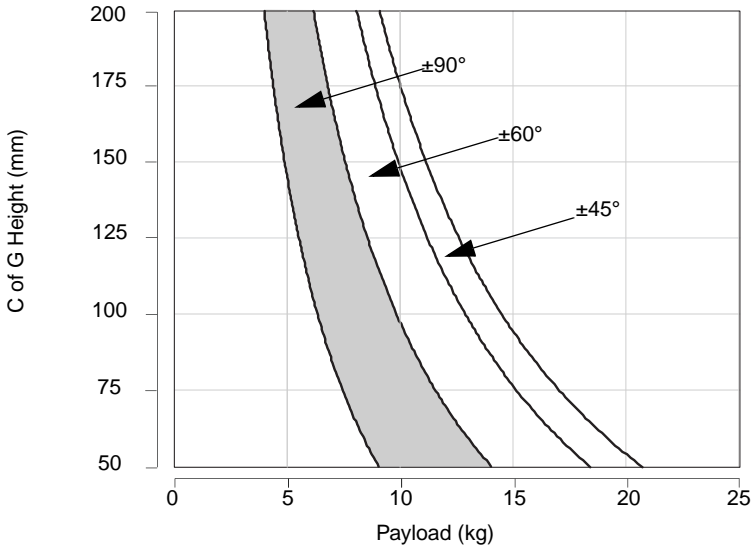


Fig. 10 Vision 8AS balance graph

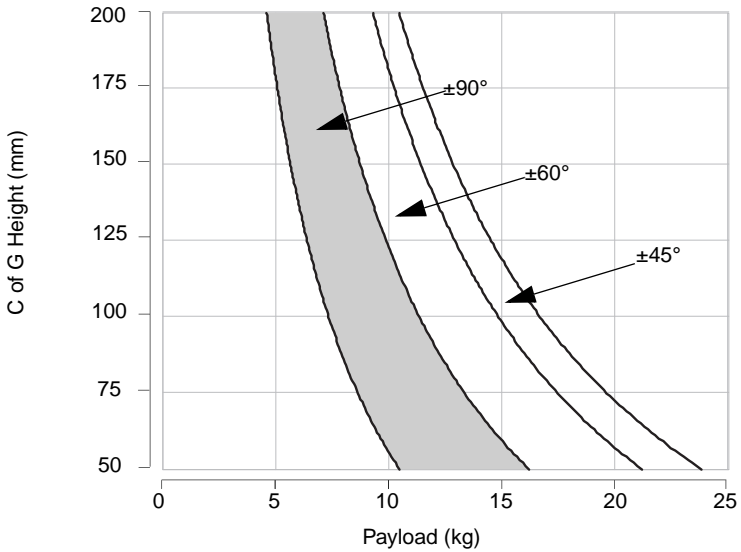


Fig. 11 Vision 10AS balance graph



- WARNING!**
1. Do NOT exceed the maximum capacity of either the head or the tripod. The system will become unstable and may fail.
 2. Always support the camera payload when disengaging the counter-balance (Perfect Balance control) mechanism to prevent it falling away suddenly.
 3. Keep hands clear of the moving platform to avoid trapping fingers.
-

To check camera balance:

Reduce tilt drag to a minimum level by turning the tilt adjustment control (11) in a counter-clockwise direction.

Reduce the counter-balance a minimum level by turning the perfect balance control (3) in a clockwise direction.



- WARNING!** Steady the camera payload using the pan bar. Be prepared to prevent the head falling away suddenly.
-

Release the tilt brake (12) by turning the lever in a counter-clockwise direction.

Turn the perfect balance control (3) counter-clockwise until the head falls away from the horizontal under the weight of the camera and payload.

Tilt the head backwards and forwards to determine if the camera position is equally balanced in both directions. The camera and payload must be positioned over the centre of gravity.

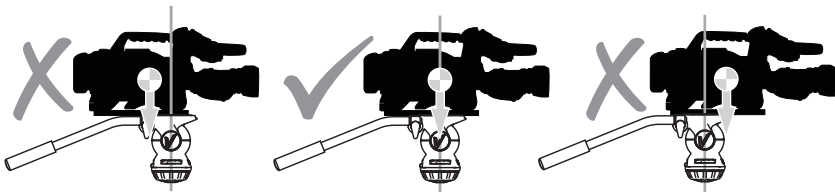


Fig. 12 Positioning the camera over the Centre of Gravity

If the camera is not positioned over the centre of gravity, set the platform level and apply the tilt brake (12). Position the camera correctly on the head by releasing the slide plate clamp (13) and then sliding the camera (on the camera slide plate) backwards or

forwards until it balances horizontally. Tighten the slide plate clamp (13) to secure the camera in position. Re-check and adjust as necessary.



WARNING! Securely apply the slide plate clamp (13) when the camera is positioned, to prevent the camera payload slipping.

Using the pan bar (5), tilt the head backwards and forwards. Turn the Perfect Balance control (3) clockwise until the camera remains in position and does not fall away when the head is tilted and then released (hands-free).

Repeat the setup until perfect balance is achieved, when the camera remains set at any angle from +90° to -90° without falling away or springing back.

NOTE: Maximum tilt angle is less than 90° for heavy payloads with a high C of G - refer to the balance graphs (Fig. 8 to Fig. 11).

Apply the tilt brake (12) when balance is achieved to prevent the camera from moving accidentally when not in use.

Applying the pan and tilt brakes

Brakes on each axis allow the head to be locked at any chosen position. The pan brake (10) and tilt brake (12) are fitted at the left-hand side of the head.

CAUTION! DO NOT use the brakes to supplement drag, the head may be damaged. When the brakes are not in use, always ensure they are fully released.

To apply the brake:

Turn the brake lever fully clockwise.

CAUTION! DO NOT use force on the brake levers. Hand tighten only.

To release the brake:

Turn the brake lever fully counter-clockwise

Applying pan and tilt drag

Both the pan and tilt mechanisms incorporate a fluid drag system to ensure smooth movement of the camera about these axes. The tilt drag control (11) is located on the left-hand side of the head and the pan drag control (7) is located at the back of the head, beneath the camera mounting platform.

NOTE: The whip-pan facility is not affected by the pan drag setting.

CAUTION! Reduce drag to a minimum when the head is out of use for long periods, to minimize wear on drag components.

To increase tilt drag:

Turn the tilt drag control (11) in a clockwise direction (downward).

To decrease tilt drag:

Turn the tilt drag control (11) in a counter-clockwise direction (upward).

To increase pan drag:

Turn the pan drag control (7) in a counter-clockwise direction (left to right).

To decrease pan drag:

Turn the pan drag control (7) in a clockwise direction (right to left).

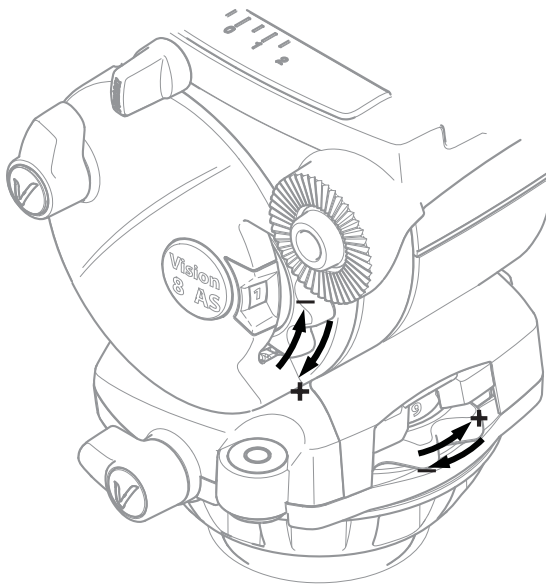


Fig. 13 Adjusting the pan and tilt drag

Maintenance

General

Vinten products are robustly made to high engineering standards and little attention is required to maintain serviceability save regular cleaning. Attention to the following points will ensure a long and useful service life with minimum need for repair.

Cleaning

During indoor use, the only cleaning required should be a regular wipe over with a lint-free cloth. Dirt accumulated during storage may be removed using a semi-stiff brush. Particular attention should be paid to the ball mounting face of the head, the space between the tilting assembly and the base and the mounting bowl of the tripod.

Use out-of-doors under adverse conditions will require special attention. Salt spray should be washed off with fresh water at the earliest opportunity. Sand and dirt acts as an abrasive and should be removed using a semi-stiff brush or vacuum cleaner.

CAUTION! DO NOT use solvent or oil-based cleaners, abrasives or wire brushes to remove accumulations of dirt, as these damage the protective surfaces. Use only detergent-based cleaners.

Routine maintenance

During use, check the following:

- Check the illumination of the level bubble. Replace battery if necessary.
- Check the effectiveness of the pan and tilt drag controls. Reset as necessary.
- Check the effectiveness of the pan and tilt brakes. Reset as necessary.

No further routine maintenance is required.

Battery replacement

The battery used to illuminate the level bubble should be replaced yearly or whenever the illumination is considered inadequate. A replacement battery is included in the field service spares kit.

To replace the battery:

- Using a thin-bladed precision screwdriver or similar tool, carefully prise open the battery compartment (1).
- Pull out the battery compartment (1) from the head.
- Remove the battery (1.1).

Vision AS range of Pan and Tilt Heads

Position the new battery (positive terminal upward) in the battery compartment (1), ensuring that it is neatly stowed in the cut-out provided.

CAUTION! Use plastic tweezers when handling the battery. Avoid shortening the battery by holding it by the circumference edge.

Refit the battery compartment (1) into the head.

CAUTION! DO NOT use force on the battery compartment. Ensure that the compartment is correctly aligned with the fittings inside the head.

Press the switch (8) and ensure that the level bubble (9) illuminates for approximately 20 seconds.

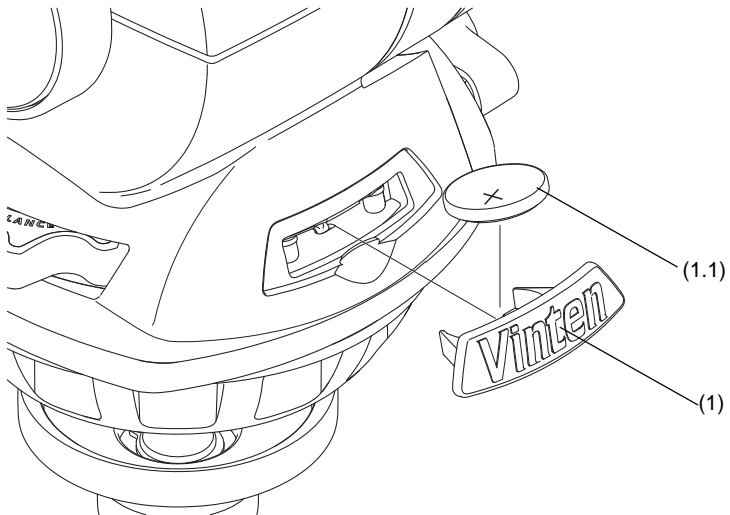


Fig. 14 Replacing the level bubble battery

Adjusting the pan and tilt brakes

The pan and tilt brakes may require adjustment after prolonged use. These adjustments should be carried out by competent persons only. The field service spares kit includes replacement brake levers and caps (if required).

To adjust the brakes:

Turn the brake lever counter-clockwise to its lowest off position as shown in Fig. 15.

Insert the thin-blade of a precision screwdriver or similar tool into the top of the cap (10.1 & 12.1). Carefully prise off the cap. Note that the cap is secured using a small adhesive pad and therefore may require a small amount of force to remove.

Using a 2.5mm allen key, remove the screw (10.2 & 12.2) securing the brake lever.

Remove the brake lever without moving the brake shaft.

Turn the brake shaft clockwise until the brake makes contact (approximately 30-45 degrees from the off position).

Replace the brake lever onto the brake shaft at approximately 30-45 degrees from the off position (Fig. 15).

Refit the screw (10.2 & 12.2) using the allen key.

Turn the lever clockwise and ensure that the brake is fully applied before the end stop is reached.

Turn the lever fully counter-clockwise and ensure that the brake is fully released before the end stop is reached.

Re-adjust the position of the lever as necessary.

Ensure that the brake is set to the off position and replace the cap (10.1 & 12.1). Ensure that the cap is positioned with the cut-out at the top and the 'V' in a vertical position.

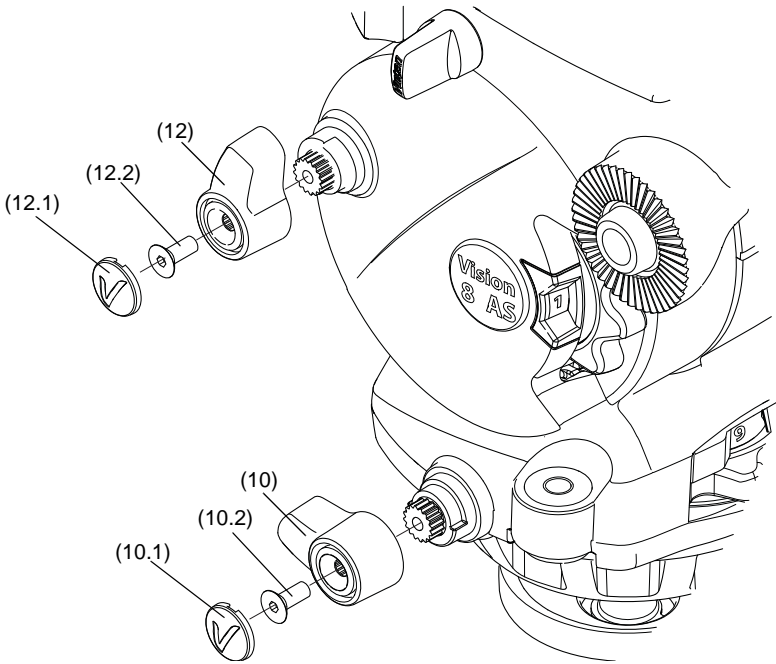


Fig. 15 Adjusting the pan and tilt brakes

Parts list

The following parts lists include main assemblies, user-replaceable spare parts and field service spares kit. The Vision range can be purchased as a complete system including tripod, spreader and soft case if required. For further information regarding the complete systems and spare parts, please contact Camera Dynamics Ltd or your local Vinten distributor.

For information on-line, visit our website at

www.vinten.com

Vision AS range of pan and tilt heads

Vision 3AS (75mm bowl)	V4043-0001
Vision 5AS (75mm bowl)	V4044-0001
Vision 8 AS (100mm bowl)	V4045-0001
Vision 10 AS (100mm bowl)	V4046-0001

Pan bars

Telescopic pan bar (Vision 10AS)3219-91
Fixed pan bar (Vision 3AS & Vision 5AS).3219-110
Fixed pan bar (Vision 8AS)3219-101

Tripods

Single stage aluminium Pozi Loc tripod, 100mm bowl, black, ENG	V3823-0001
Single stage aluminium Pozi Loc tripod, 75mm bowl, black, ENG	V3822-0001
Single stage carbon fibre Pozi-Loc tripod, 100mm bowl, black, ENG3773-3
Single stage carbon fibre Pozi-Loc tripod, 75mm bowl, black, ENG3777-3
Two stage aluminium Pozi Loc tripod, 100mm bowl, black, ENG3821-3
Two stage aluminium Pozi Loc tripod, 75mm bowl, black, ENG3819-3
Two stage carbon fibre Pozi-Loc tripod, 100mm bowl, black, ENG3772-3
Two stage carbon fibre Pozi-Loc tripod, 75mm bowl, black, ENG3776-3

Spreaders

Floor spreader3363-3
Spread-Loc mid-level spreader including carpet feet3781-3

Soft Cases

Single stage tripod case3334-3
Two stage tripod case3358-3

Vision AS range of Pan and Tilt Heads

Optional Accessories

Telescopic pan bar (Vision 3AS and Vision 5AS)3219-113
Telescopic pan bar (Vision 8AS)3219-91
Fixed pan bar (Vision 10AS)3219-101

User-replaceable spare parts

Camera slide plate (side-loading)	V4045-1008
3/8 in. camera screw (AS range only)	V4045-2074
1/4 in. screw and pin adaptor	V4045-1006
Battery tray moulding (8AS & 10AS)	V4045-1904
Battery tray moulding (3AS & 5AS)	V4043-1904
Bowl clamp assembly3330-30

Field service spares kit

Field service spares kit.	V4045-1902
Brake lever (2 off)	V4045-2009
Brake lever cap (2 off)	V4045-2058
Screw (2 off)	M005-912
Battery (CR2032 3.0V/230mAh)	EEBA000009

Warranty Details and Terms and Conditions

Please read the Warranty Details and Terms and Conditions for your product.

Register your product now on-line at www.vinten.com/register to get One Extra Year Warranty and a Free Vinten Quality Gift.

The product serial number is located on the camera mounting platform, under the camera slide plate.

Vinten warrants, to the original purchaser only, that this product will be free from defects in materials and workmanship under normal and proper usage for a period of one (1) year from the date of purchase. Vinten's obligation under this warranty is limited to replacing or repairing, at Vinten's option, products or parts determined by Vinten to be defective in materials or workmanship. This Vinten parts and labour warranty is subject to the terms and conditions set forth below.

Extended Warranty

By registering on-line, the warranty on Vinten hardware products described above is extended from one (1) to two (2) years from the date of purchase subject to the terms and conditions below.

Terms and Conditions

Notification of Warranty Claims

All warranty claims must be made in writing and must include date and proof of purchase

Extent of liability

This warranty is given to the original purchaser of the goods only and cannot be assigned, except with the prior written agreement of Vinten.

Subject to these terms and conditions, Vinten will repair or replace, free of charge, any product or defective part provided that the defective part of the product has been returned to Vinten or its authorized agent, freight pre-paid.

If any defective product has been superseded and cannot be repaired, replacement will be made with a current model of the same quality and equivalent function.

Exclusion of Liability

This warranty does not cover any damage, defects or costs caused by: (1) modification, alteration, repair or service of the product by anyone other than Vinten or its authorized representative; (2) physical abuse to, overload of, or misuse of, the product, or operation of the product in a manner contrary to the instructions accompanying the product; (3) any use of the product other than that for which it was intended; or (4) shipment of the product to Vinten for service.

UNDER NO CIRCUMSTANCES SHALL VINTEN BE LIABLE FOR ANY SPECIAL, INCIDENTAL OR CONSEQUENTIAL DAMAGES, INCLUDING, BUT NOT LIMITED TO, PERSONAL INJURY, PROPERTY DAMAGE, DAMAGE TO OR LOSS OF EQUIPMENT, LOST PROFITS OR REVENUE, COSTS OF RENTING REPLACEMENTS AND OTHER

Vision AS range of Pan and Tilt Heads

ADDITIONAL EXPENSES, EVEN IF VINTEN HAS BEEN ADVISED OF THE POSSIBILITY OF SUCH DAMAGES. SOME JURISDICTIONS DO NOT ALLOW THE EXCLUSION OR LIMITATION OF INCIDENTAL OR CONSEQUENTIAL DAMAGES, SO THE ABOVE LIMITATION OR EXCLUSION MAY NOT APPLY TO YOU.

ANY EXPRESS WARRANTY NOT PROVIDED HEREIN, AND ANY REMEDY WHICH, BUT FOR THE WARRANTY CONTAINED HEREIN, MIGHT ARISE BY IMPLICATION OR OPERATION OF LAW IS HEREBY EXCLUDED AND DISCLAIMED INCLUDING THE IMPLIED WARRANTIES OF MERCHANTABILITY AND OF FITNESS FOR A PARTICULAR PURPOSE. SOME JURISDICTIONS DO NOT ALLOW LIMITATIONS ON IMPLIED WARRANTIES, SO THE ABOVE LIMITATION MAY NOT APPLY TO YOU.

THIS WARRANTY GIVES YOU SPECIFIC LEGAL RIGHTS AND YOU MAY ALSO HAVE OTHER RIGHTS, WHICH MAY VARY FROM JURISDICTION TO JURISDICTION.

CHINA

The Vitec Group plc China
 Rm 706, Tower B
 Derun Building
 YongAn Dongli A No. 8
 Jianwai Ave, Chaoyang District,
 Beijing, China 100022
 Tel. +86 10 8528 8748
 Fax. +86 10 8528 8749

FRANCE

Camera Dynamics Sarl
 171 Avenue des Grésillons
 92635 GENNEVILLIERS Cedex
 France
 Tel. +33 820 821 336
 Fax. +33 825 826 181

GERMANY

Camera Dynamics GmbH
 Gebäude 16
 Planiger Straße 34
 55543 Bad Kreuznach
 Germany
 Tel. +49 671/483 43 30
 Fax. +49 671/483 43 50

Camera Dynamics GmbH
 Erfurter Straße 16
 85386 Eching
 Germany
 Tel. +49 89/321 58 200
 Fax. +49 89/321 58 227

JAPAN

Vinten Japan KK
 P.A. Bldg. 5F
 3-12-6 Aobadai
 Meguro-ku Tokyo 153-0042
 Japan
 Tel. +81 3 5456 4155
 Fax. +81 3 5456 4156

SINGAPORE

Camera Dynamics Pte Ltd
 6 New Industrial Road
 #02-02 Hoe Huat Industrial Building,
 Singapore 536199
 Tel. +65 6297 5776
 Fax. +65 6297 5778

UK

Camera Dynamics Ltd
 William Vinten Building
 Western Way
 Bury St Edmunds
 Suffolk IP33 3TB
 Tel. +44 1284 752 121
 Fax. +44 1284 750 560
 Sales Fax. +44 1284 757 929

USA

Camera Dynamics Inc.
 709 Executive Blvd
 Valley Cottage
 NY 10989
 USA
 Tel. +1 845 268 0100
 Fax. +1 845 268 0113
 Toll Free Sales: +1 888 2 Vinten

Information contained in this publication is subject to change. Vinten reserves the right, without notice, to make changes in equipment design or performance as progress in engineering, manufacturing or technology may warrant.

Publication Part No. V4045-4980
 Issue 2.0