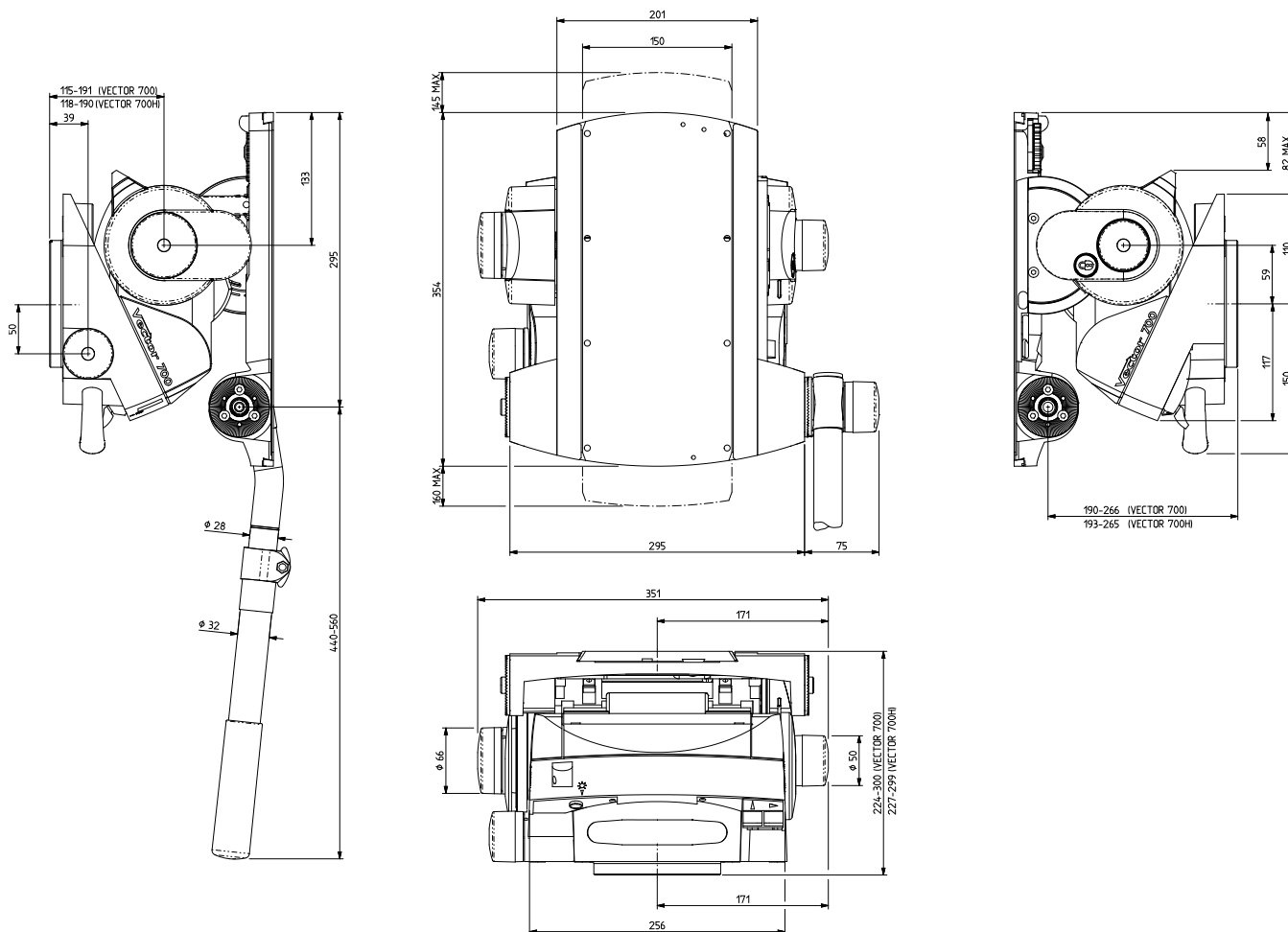


# Vector 750 Pan & Tilt Head



## Main Assemblies

Vector 750 pan and tilt head	V4034-0001
Wedge adaptor	3389-3
Camera wedges for wedge adaptor:	
Short wedge	3391-3
Standard wedge	3053-3
Telescopic pan bar and clamp	3219-82
Short fixed pan bar and clamp	3219-94
Short fixed pan bar and clamp	3219-93

# Technical Data

Fixing bolt	L054-714
Washer - for fixing bolt	L602-122
Spanner - for head bolts	J551-001
Lightweight Mitchell adaptor	3103-3
Heavy-duty Mitchell adaptor - for Vinten pedestal mounting in conjunction with Hi-hat adaptor Part No. 3055-3	3724-3
Adaptor plate kit - for use on Hawk and Teal pedestals	3354-900SP
Level bubble illumination unit battery - 9V, 6LR61 (PP3, 6AM6, MN1604, E-BLOCK or equivalent)	C550-023

## Technical Specifications

Maximum payload	75 kg (165.3 lb)
Payload Centre of Gravity height range	80 mm (3 in.) to 250 mm (10 in.)
Weight (complete with pan bar and wedge adaptor)	19.15 kg (42.1 lb)
Overall dimensions	
Height (with wedge adaptor)	
Minimum balance setting	255 mm (10.0 in.)
Maximum balance setting	355 mm (14.0 in.)
Length (without pan bar)	355 mm (14.0 in.)
Width (without pan bar)	350 mm (13.8 in.)
Width (with two pan bars)	445 mm (17.5 in.)
Tilt range	±52°
Pan range	360°
Operational temperature range	-40°C to 60°C
Battery type	PP3

**CHINA**  
 Room 1806, Hua Bin Building  
 No.8 Yong An Dong Li  
 Jian Guo Men Wai Ave  
 Chao Yang District  
 Beijing, P.R.China 1000222  
 Tel: +86 10 8528 8748  
 Fax: +86 10 8528 8749

**FRANCE**  
 171, Avenue des Grésillions  
 92635 GENNEVILLIERS Cedex  
 France  
 Tel: +33 820 821 336  
 Fax: +33 825 826 181

**GERMANY**  
 -Gebäude 16-  
 Planiger Straße 34  
 55543 Bad Kreuznach  
 Germany  
 Tel: +49 671 / 483 43 - 30  
 Fax: +49 671 / 483 43 - 50

**JAPAN**  
 P.A. Bldg. 5F  
 3-12-6 Aobadai  
 Meguro-ku Tokoyo 153-0042  
 Japan  
 Tel: +81 3 5456 4155  
 Fax: +81 3 5456 4156

**SINGAPORE**  
 6 New Industrial Road  
 #02-02 Hoe Huat Industrial Building  
 Singapore 536199  
 Tel: +65 6297 5776  
 Fax: +65 6297 5778

**UK**  
 Western Way  
 Bury St. Edmunds  
 Suffolk IP33 3TB  
 UK  
 Tel: +44 1284 752121  
 Fax: +44 1284 750560  
 Sales Fax: +44 1284 757929

**USA**  
 709 Executive Blvd  
 Valley Cottage  
 NY 10989  
 USA  
 Tel: +1 845 268 0100  
 Fax: +1 845 268 0113

2701 N. Ontario St  
 Burbank  
 CA 91504  
 USA  
 Tel: +1 818 847 8666  
 Fax: +1 818 847 1205